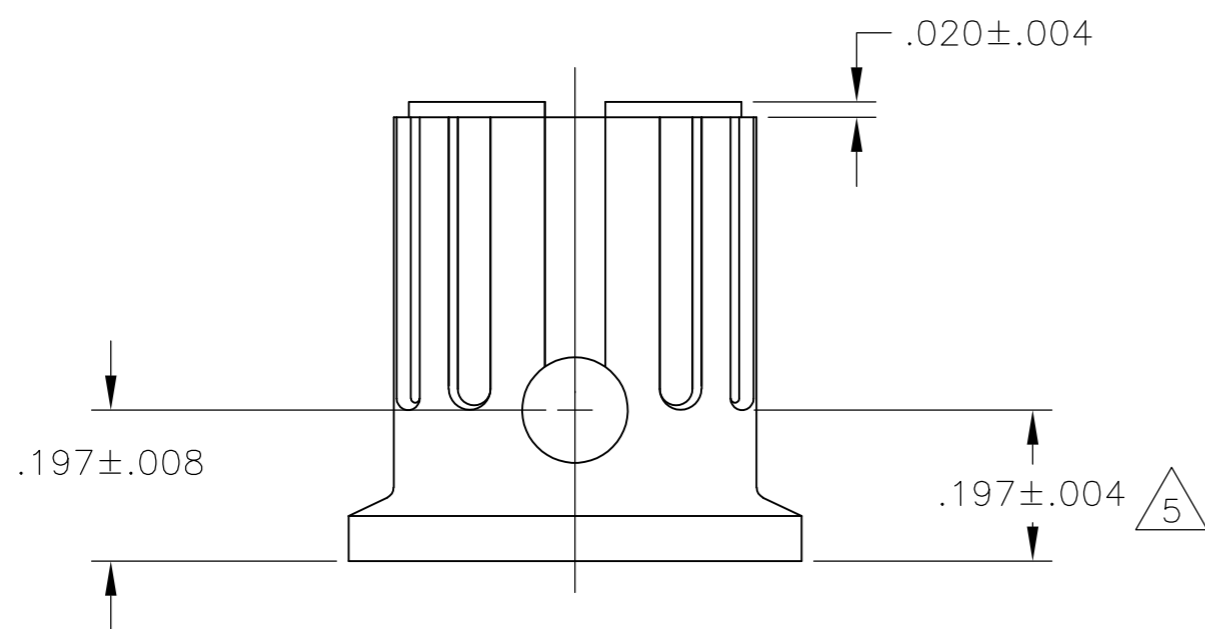
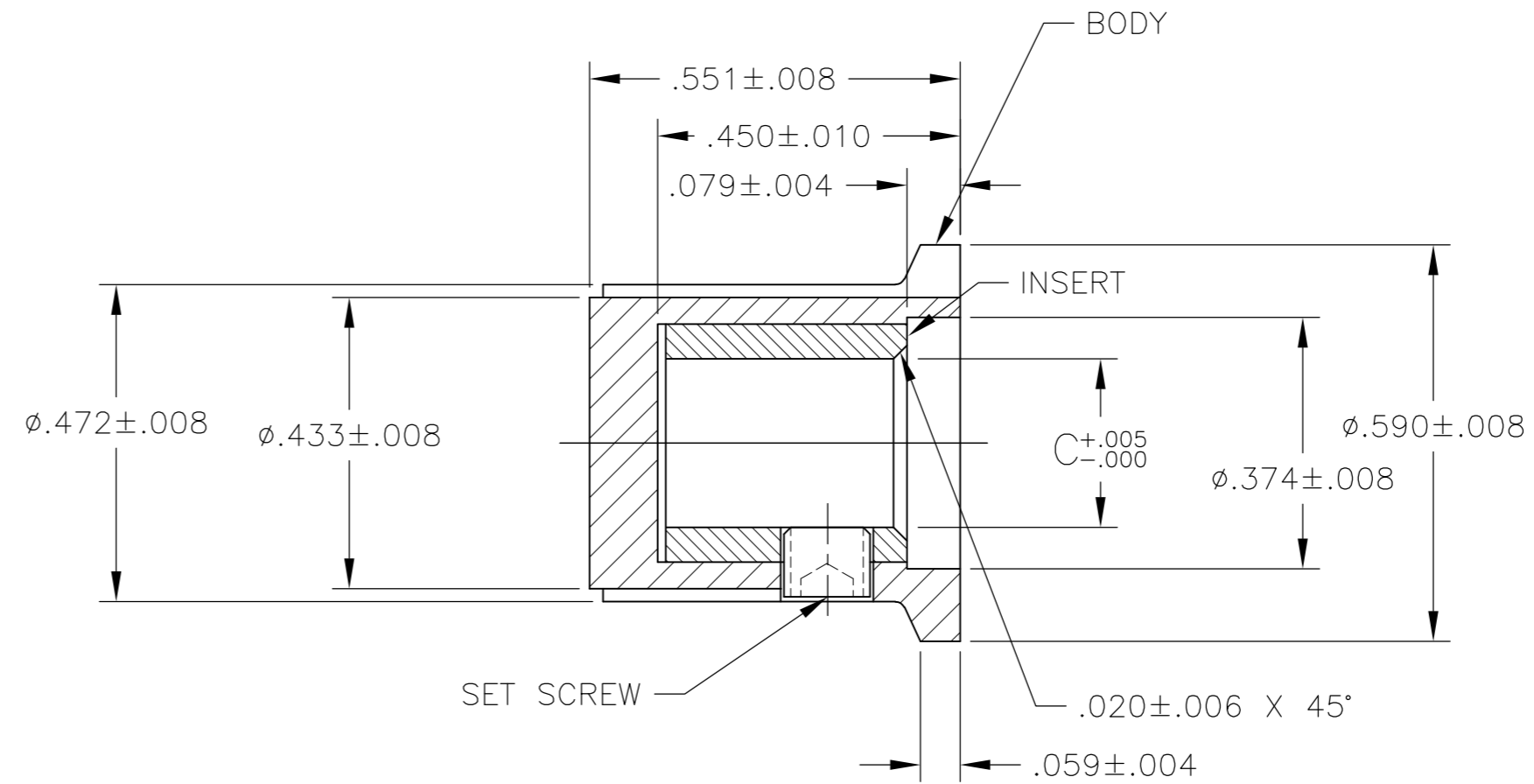
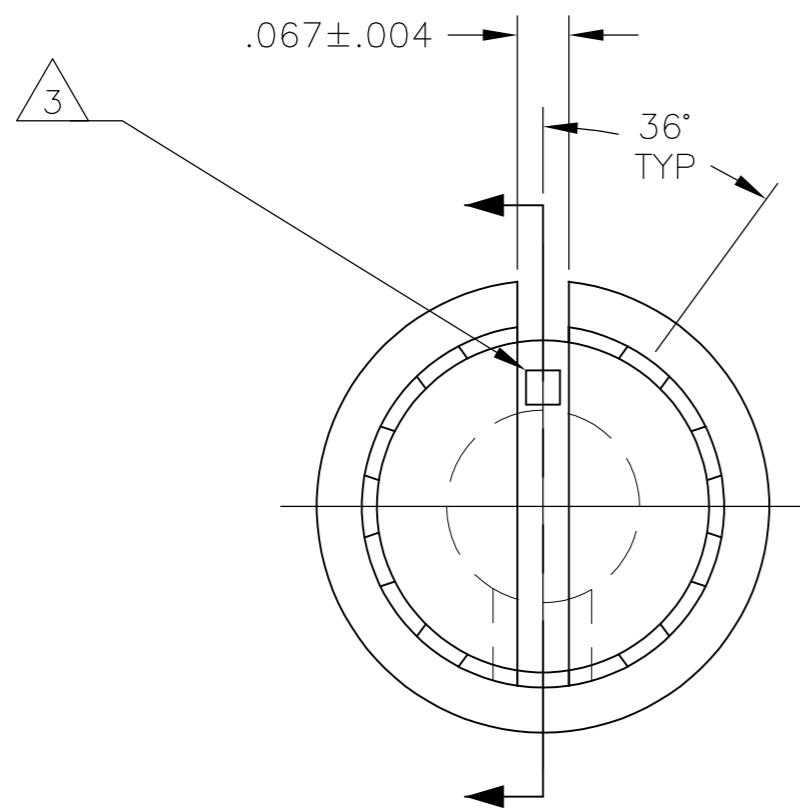


THIS DRAWING IS UNPUBLISHED. RELEASED FOR PUBLICATION
 © COPYRIGHT - By - ALL RIGHTS RESERVED.

REVISIONS				DATE	DWN	APVD
P	LTR	DESCRIPTION				
	K1	REVISED PER ECO-16-001115	02FEB2016	NK	RH	



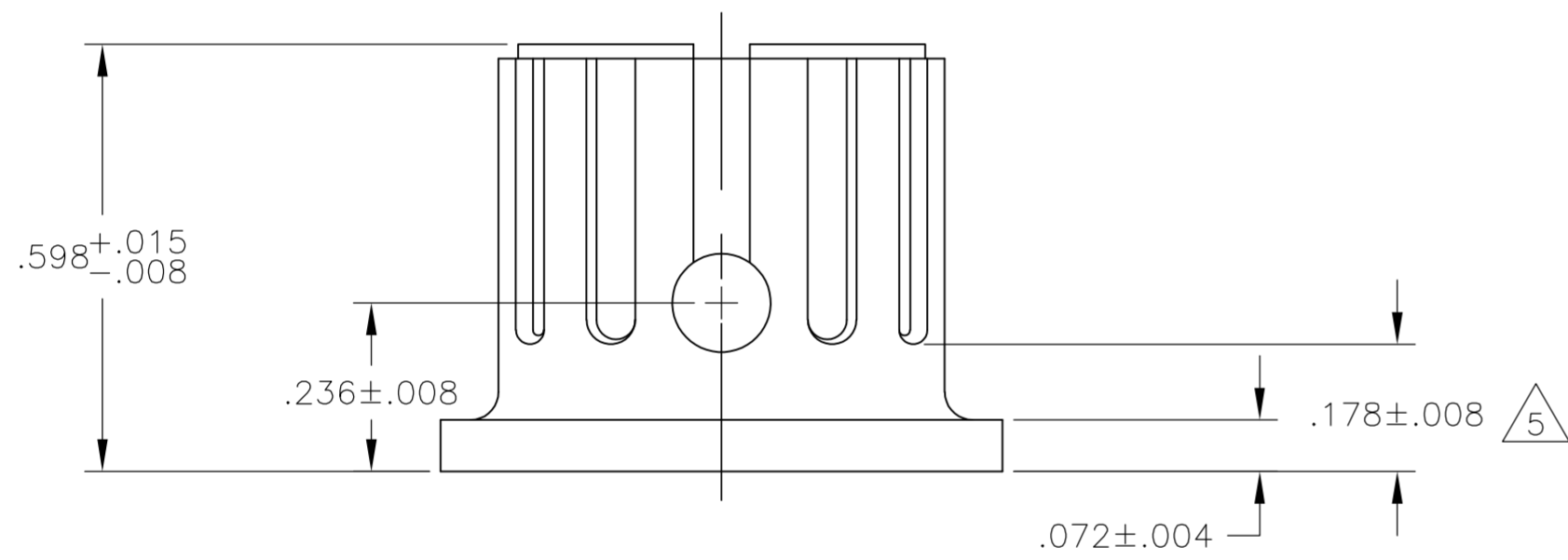
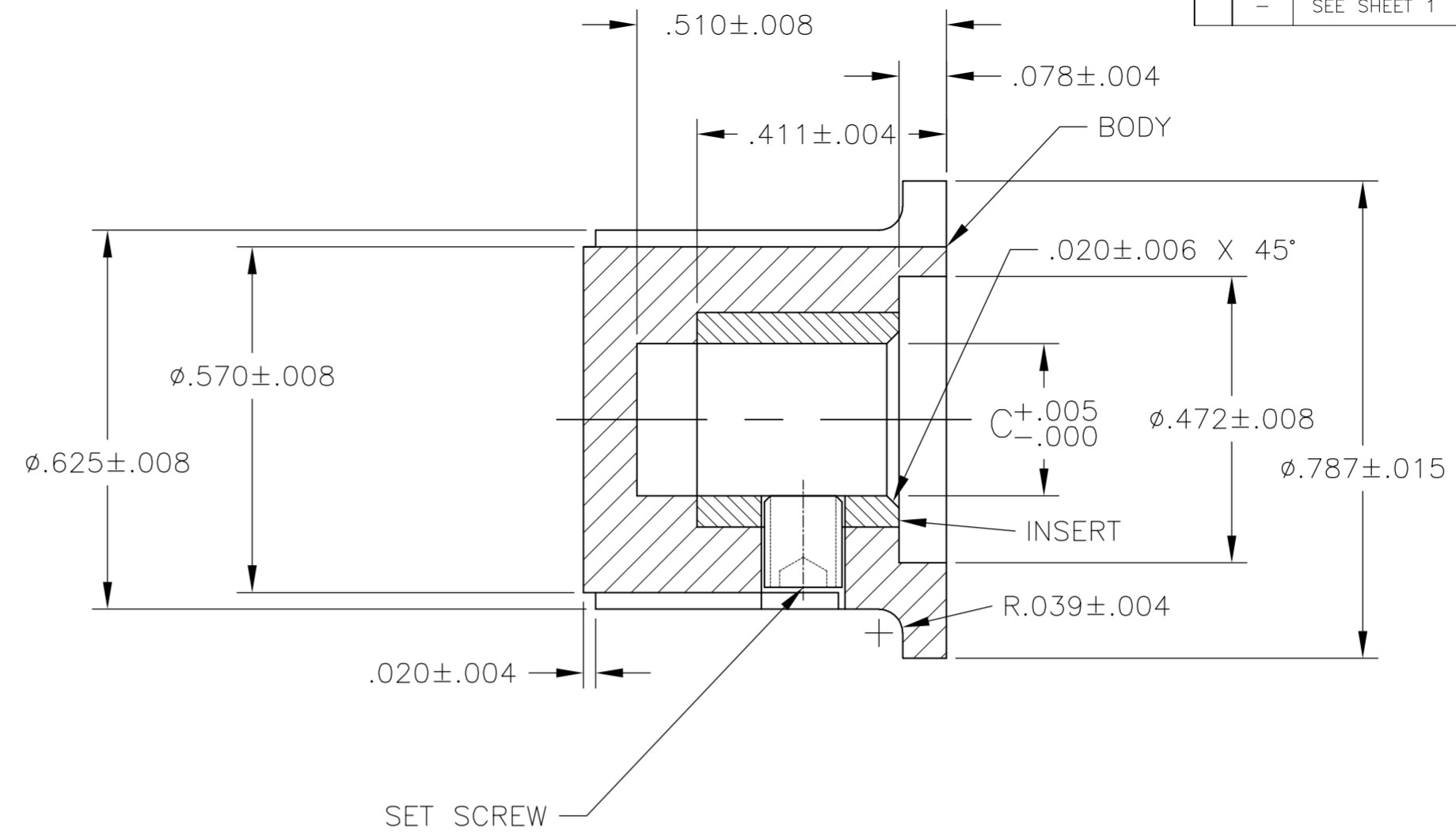
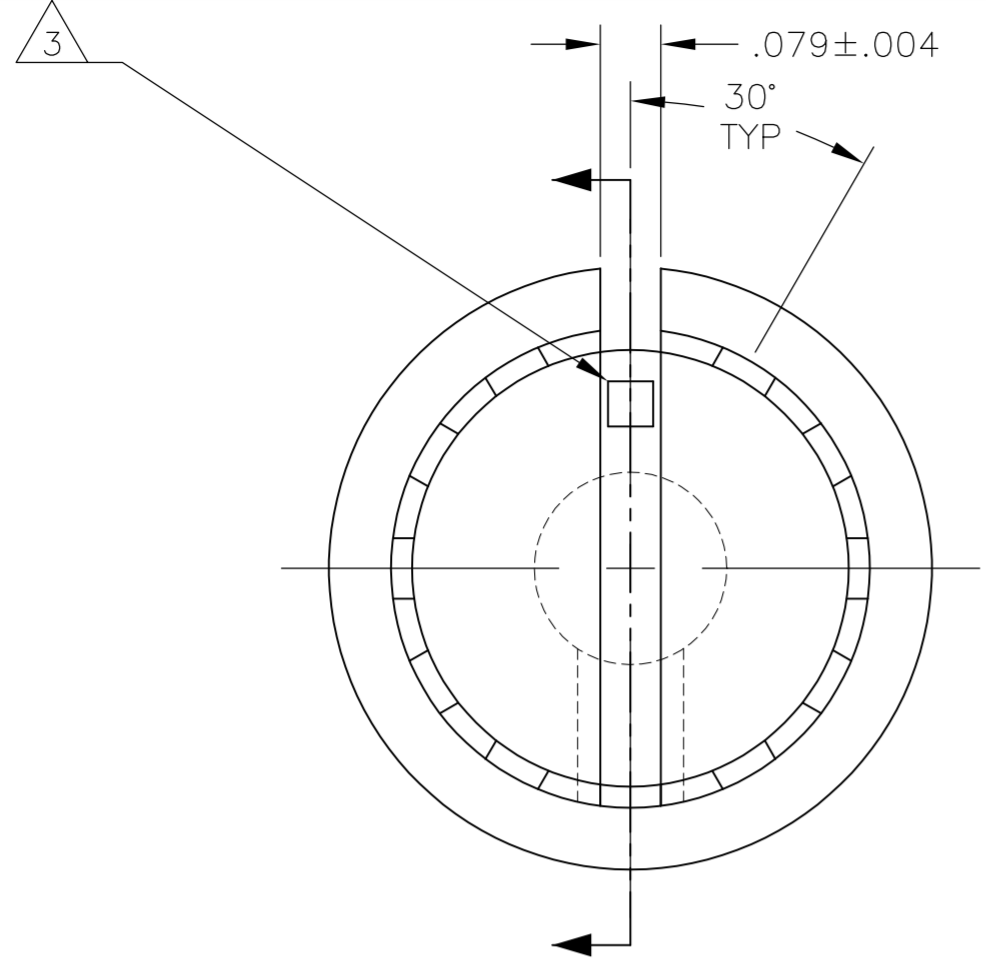
- 1 MATERIAL AND FINISH:
 BODY: PHENOLIC, BLACK
 SET SCREW: 303 STAINLESS STEEL, BLACK ANODIZED
 INSERT: BRASS
- 2 SET SCREW ARE UNC-2A, CUP POINT, HEX HEAD TYPE. LENGTH TOLERANCE OF ALL SET SCREWS TO BE ±.010
- 3 INDICATOR, PAINTED FULL, COLOR: WHITE; .030 ± .010 DEEP
- 4 RETENTION FORCE OF INSERT IN KNOB BODY: 2 LBS MIN.
- 5 DIMENSION DOES NOT APPLY TO SET SCREW COUNTERBORE.

#4-40 X .187	.251	-	1571682-1
#4-40 X .125	.126	PKX50B1/8	1-1437625-5
#4-40 X .125	.251	PKX50B1/4	1-1437625-4
2 SET SCREW	C SHAFT HOLE	MODEL NUMBER	PART NUMBER

THIS DRAWING IS A CONTROLLED DOCUMENT.		DWN	12MAR03	TE Connectivity	
DIMENSIONS: INCHES		CHK	-	PKX SERIES KNOB	
TOLERANCES UNLESS OTHERWISE SPECIFIED:		APVD	-	-	
0 PLC ± -		PRODUCT SPEC	-	-	
1 PLC ± -		APPLICATION SPEC	-	-	
2 PLC ± -		WEIGHT	-	SIZE	A2
3 PLC ± .004		FINISH	-	CAGE CODE	00779
4 PLC ± -		CUSTOMER DRAWING		DRAWING NO	C=1-1437625-1
ANGLES ± 2°		SCALE		1:1	SHEET
MATERIAL		RESTRICTED TO		1 of 6	REV
-		-		K1	

THIS DRAWING IS UNPUBLISHED. RELEASED FOR PUBLICATION
 © COPYRIGHT - By - ALL RIGHTS RESERVED.

LOC		DIST		REVISIONS			
P	LTR	DESCRIPTION	DATE	DWN	APVD		
AD	0						
		SEE SHEET 1					



#6-32 X .125	.126	PKX60B1/8	1-1437625-7
OBSOLETE #6-32 X .125	.251	PKX60B1/4	1-1437625-6
SET SCREW		SHAFT HOLE	MODEL NUMBER
			PART NUMBER

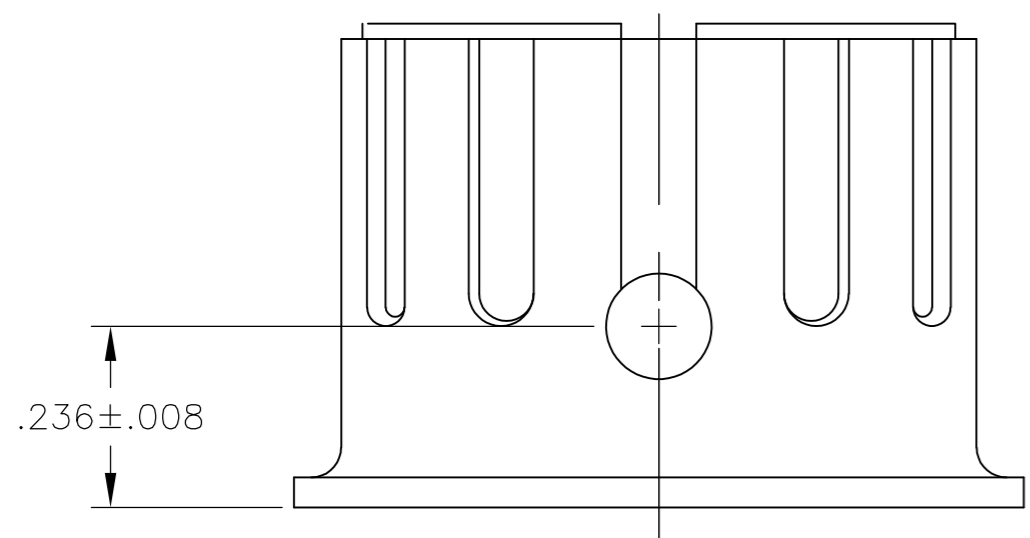
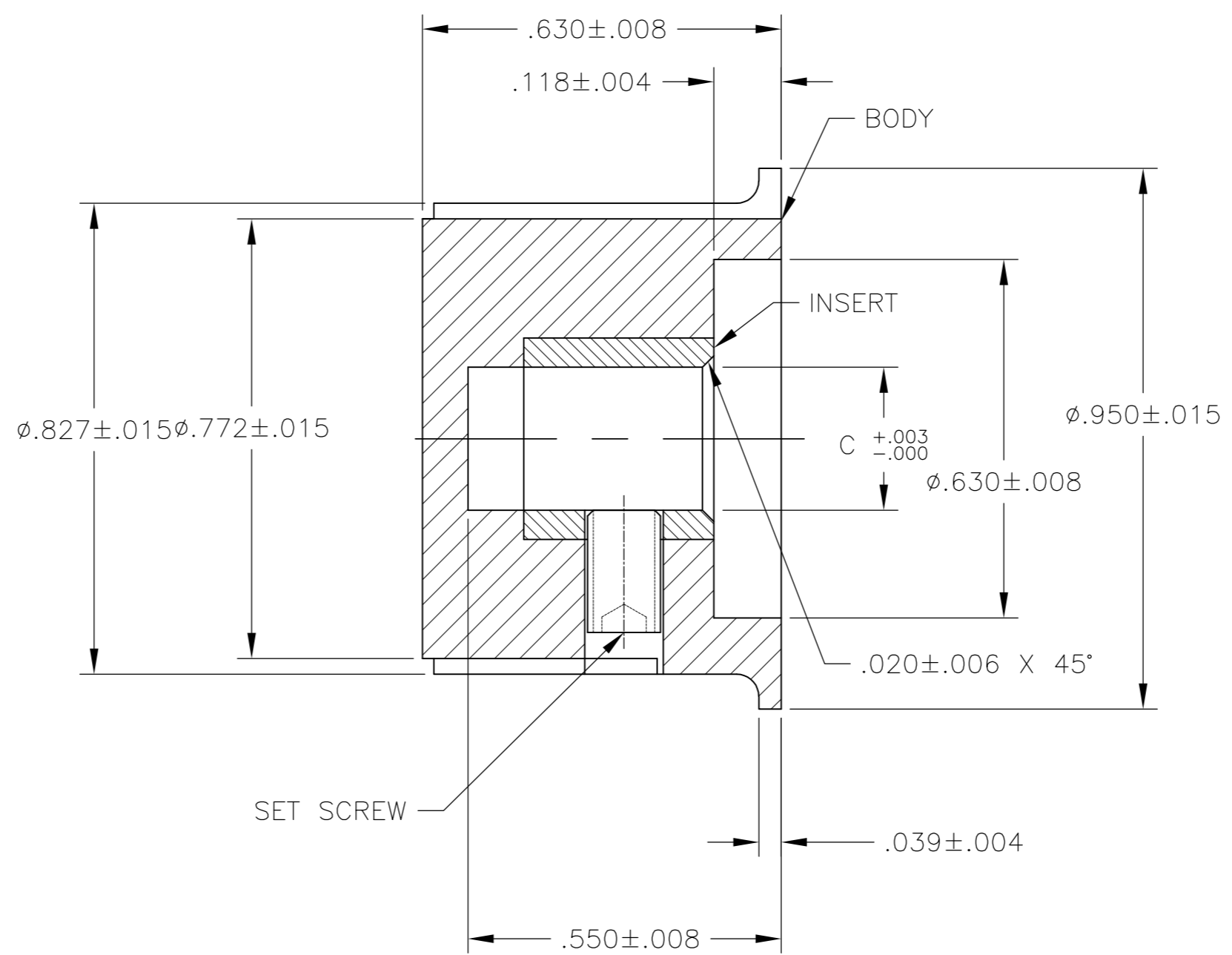
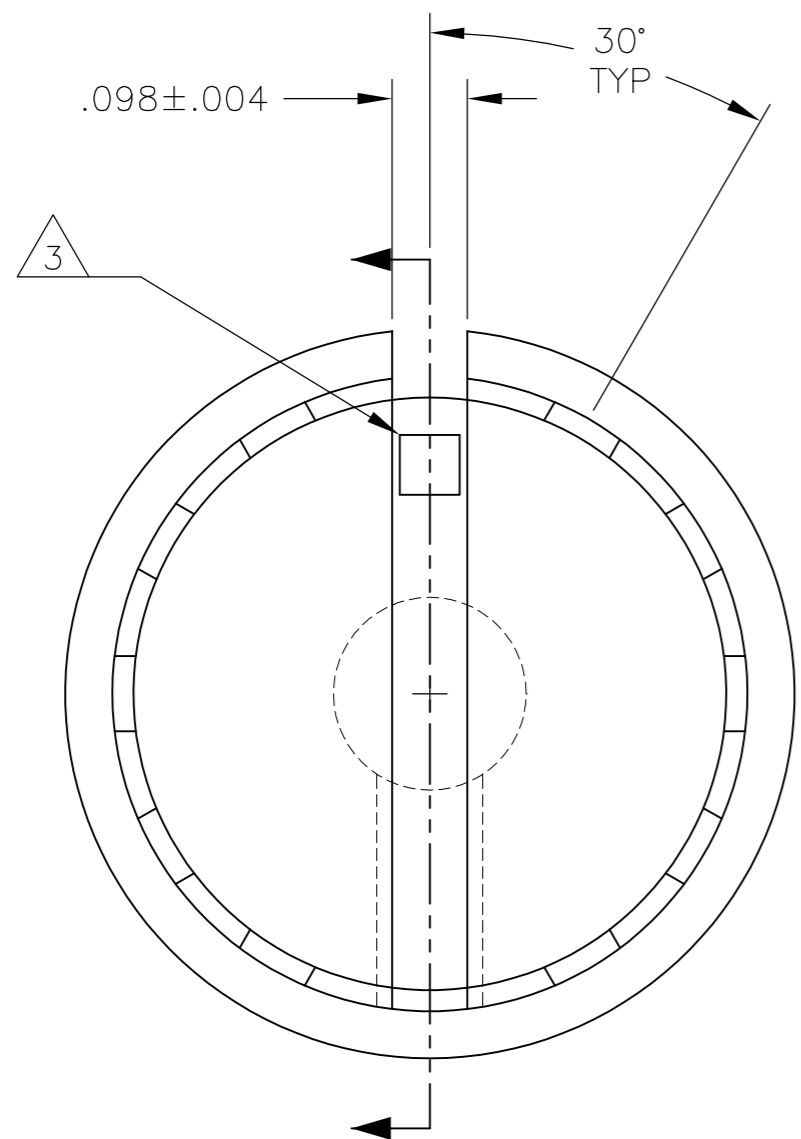
THIS DRAWING IS A CONTROLLED DOCUMENT.		DWN	M.BINNER	12MAR03
DIMENSIONS: INCHES		CHK	-	-
TOLERANCES UNLESS OTHERWISE SPECIFIED:		APVD	-	-
0 PLC	± -	PRODUCT SPEC	-	-
1 PLC	± -	APPLICATION SPEC	-	-
2 PLC	± -	WEIGHT	-	-
3 PLC	± .004	SIZE	A2	00779
4 PLC	± -	CAGE CODE	00779	C=1-1437625-1
ANGLES	± 2'	DRAWING NO	1-1437625-1	
FINISH	-	RESTRICTED TO	-	
MATERIAL		SCALE	1:1	SHEET 2 of 6
CUSTOMER DRAWING		REV	K1	



PKX SERIES KNOB

THIS DRAWING IS UNPUBLISHED. RELEASED FOR PUBLICATION
 © COPYRIGHT - By - ALL RIGHTS RESERVED.

LOC		DIST		REVISIONS			
P	LTR	DESCRIPTION	DATE	DWN	APVD		
-	-	SEE SHEET 1	-	-	-		

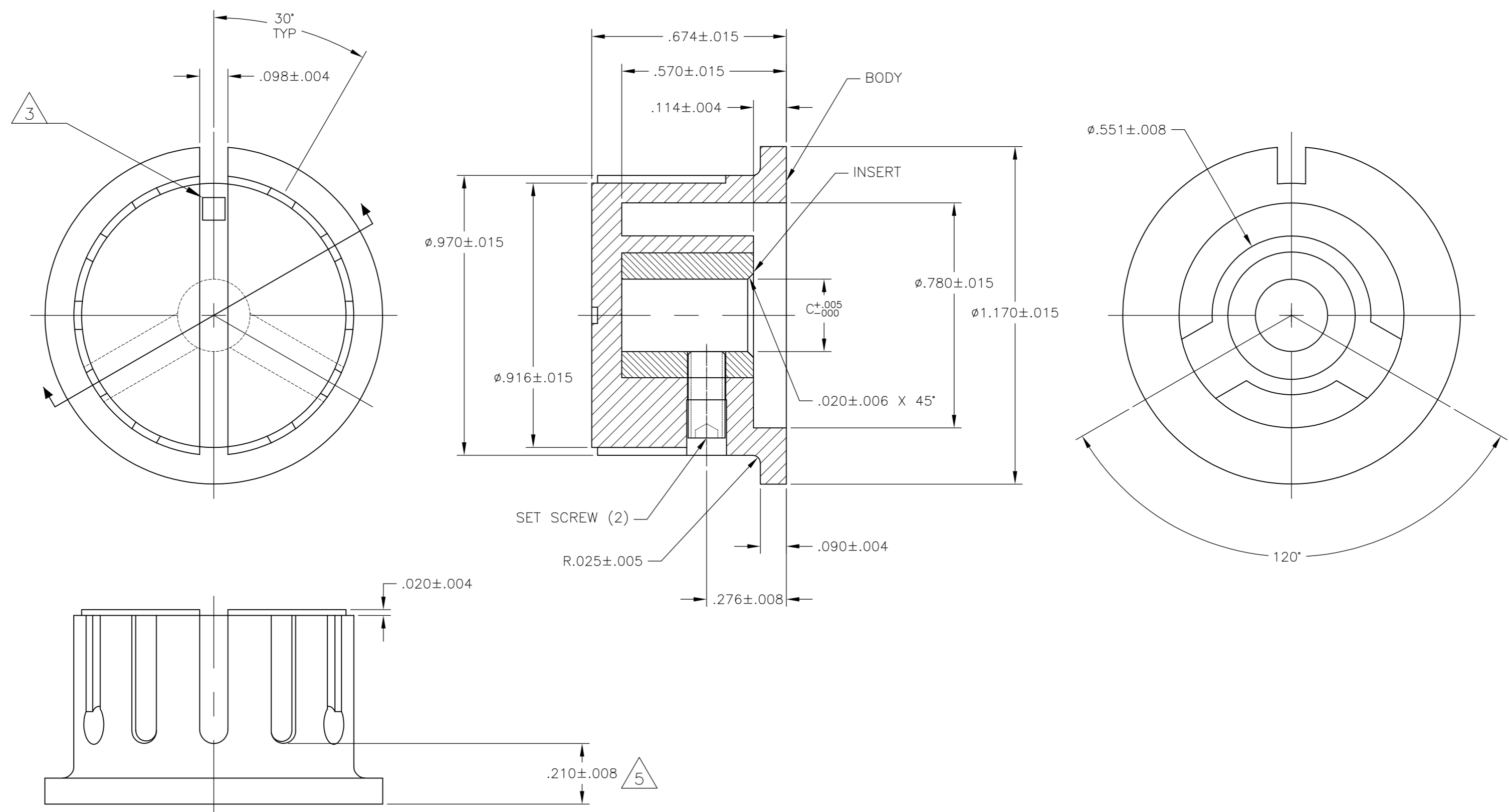


OBSOLETE	#6-32 X .250	.251	PKX80B1/4	1-1437625-8
	SET SCREW		SHAFT HOLE	MODEL NUMBER
				PART NUMBER

THIS DRAWING IS A CONTROLLED DOCUMENT.		DWN	12MAR03	TE TE Connectivity	
		CHK	-		
DIMENSIONS: INCHES		APVD	-	NAME	
TOLERANCES UNLESS OTHERWISE SPECIFIED:		PRODUCT SPEC	-	PKX SERIES KNOB	
0 PLC ± -		APPLICATION SPEC	-	SIZE	CAGE CODE
1 PLC ± -				A2	00779
2 PLC ± -				DRAWING NO	1-1437625-1
3 PLC ± .004				RESTRICTED TO	-
4 PLC ± -				SCALE	1:1
ANGLES ± 2°				SHEET	3 of 6
MATERIAL	FINISH	WEIGHT	-	REV	K1
-	-	CUSTOMER DRAWING			

THIS DRAWING IS UNPUBLISHED. RELEASED FOR PUBLICATION
 © COPYRIGHT - By - ALL RIGHTS RESERVED.

REVISIONS				DATE	DWN	APVD
P	LTR	DESCRIPTION				
-	-	SEE SHEET 1	-	-	-	-

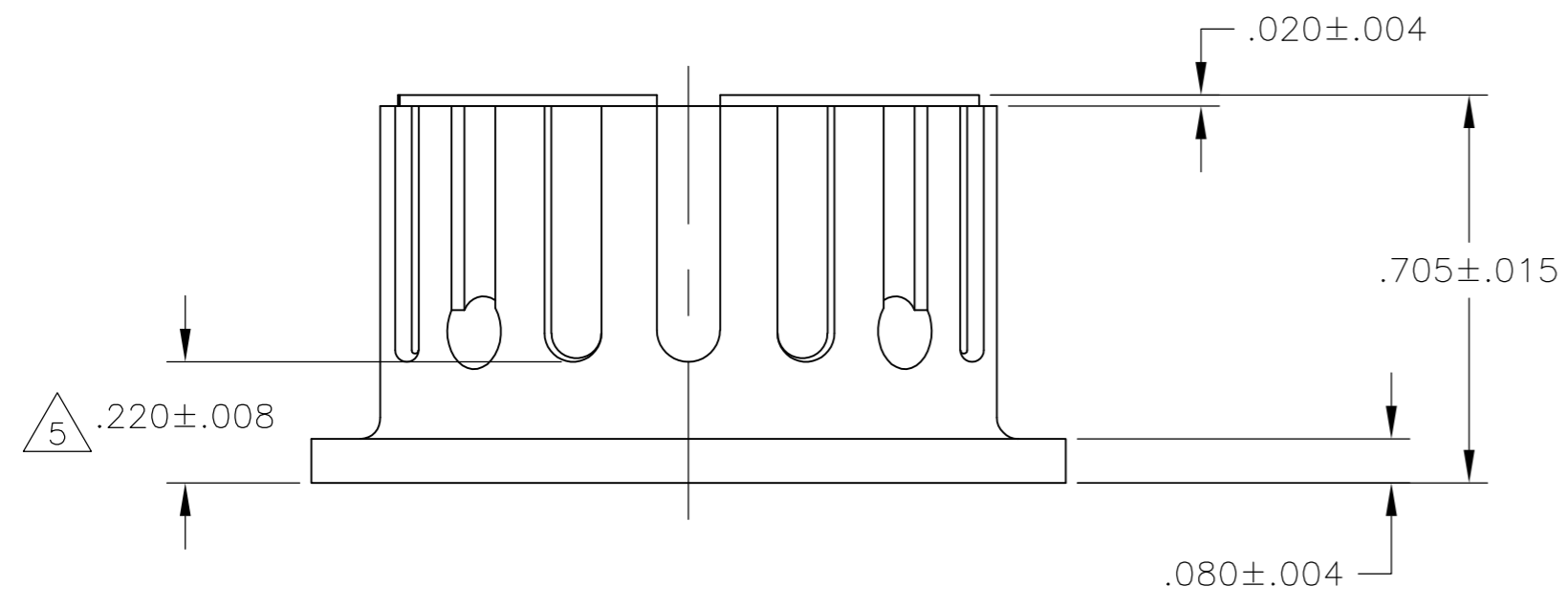
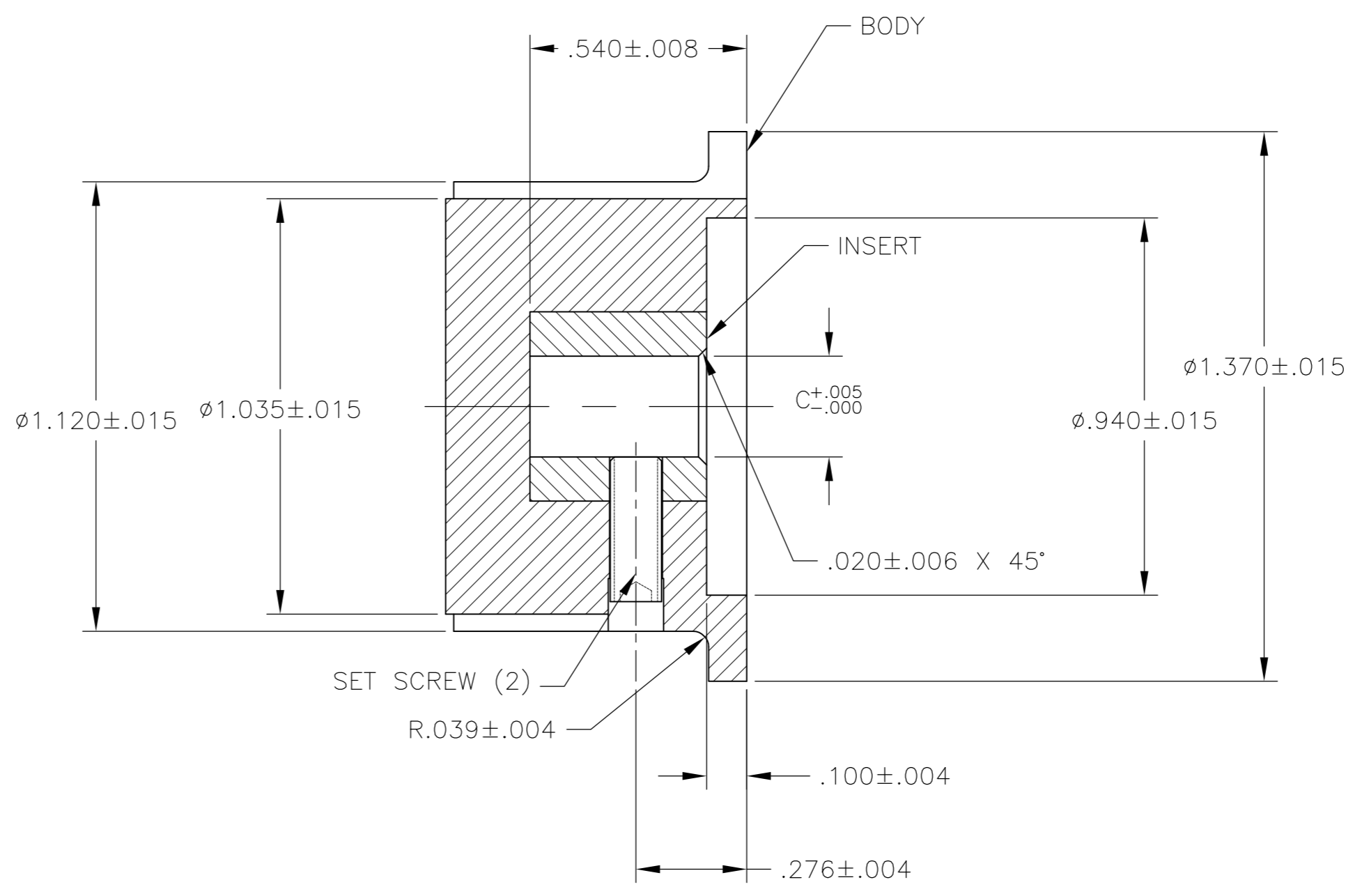
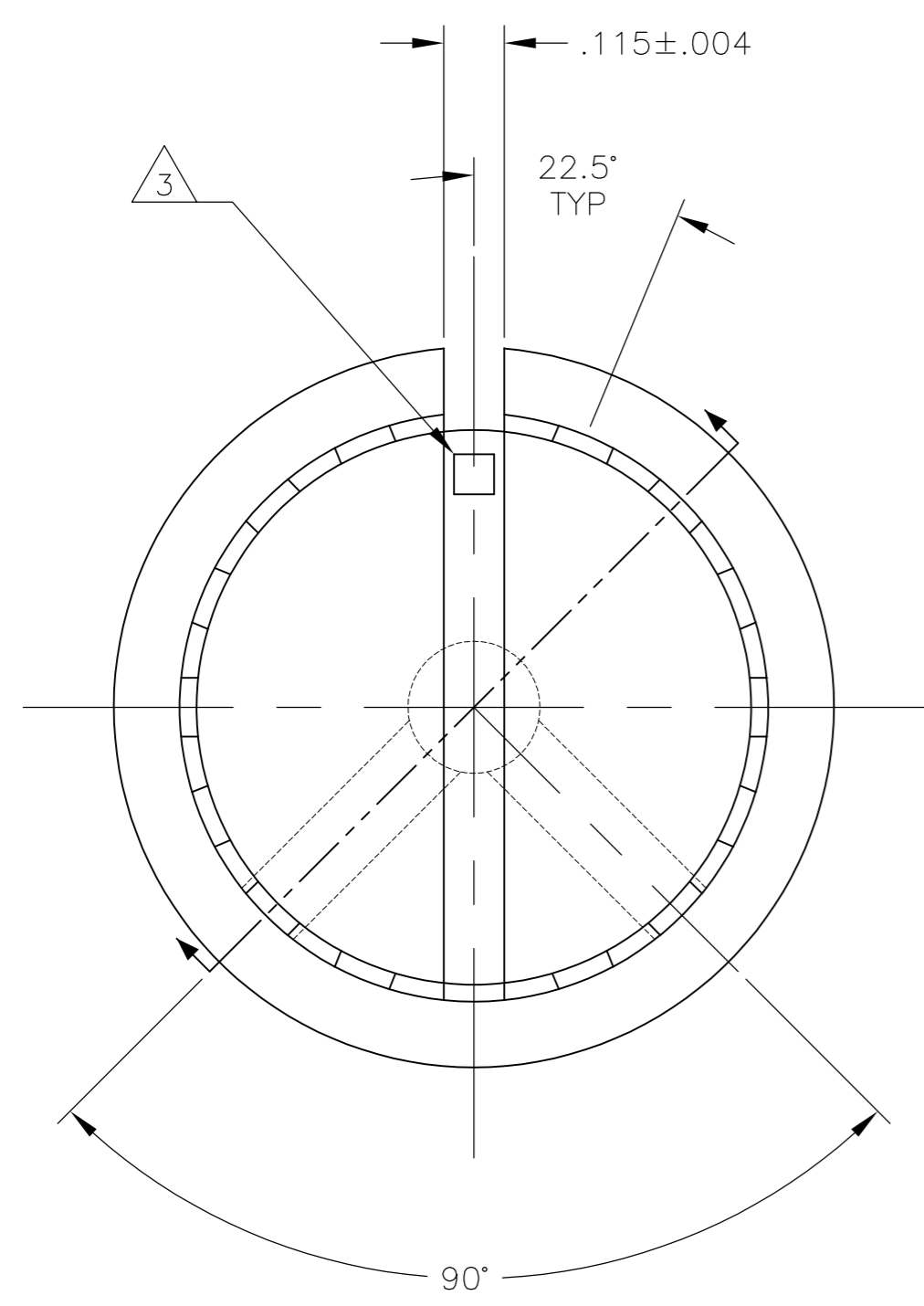


#6-32 X .313	.251	PKX100B1/4	1-1437625-1
SET SCREW	SHAFT HOLE	MODEL NUMBER	PART NUMBER

THIS DRAWING IS A CONTROLLED DOCUMENT.		DWN	12MAR03	TE Connectivity	
DIMENSIONS: INCHES		CHK	-	PKX SERIES KNOB	
TOLERANCES UNLESS OTHERWISE SPECIFIED:		APVD	-	-	
0 PLC ± -		PRODUCT SPEC	-	-	
1 PLC ± -		APPLICATION SPEC	-	-	
2 PLC ± -		WEIGHT	-	SIZE	A2
3 PLC ± .004		MATERIAL	-	CAGE CODE	00779
4 PLC ± -		FINISH	-	DRAWING NO	C=1-1437625-1
ANGLES ± 2°		CUSTOMER DRAWING	SCALE	1:1	SHEET
				4 of 6	REV
					K1

THIS DRAWING IS UNPUBLISHED. RELEASED FOR PUBLICATION
 © COPYRIGHT - By - ALL RIGHTS RESERVED.

LOC		DIST		REVISIONS			
P	LTR	DESCRIPTION	DATE	DWN	APVD		
AD	0						
		SEE SHEET 1					



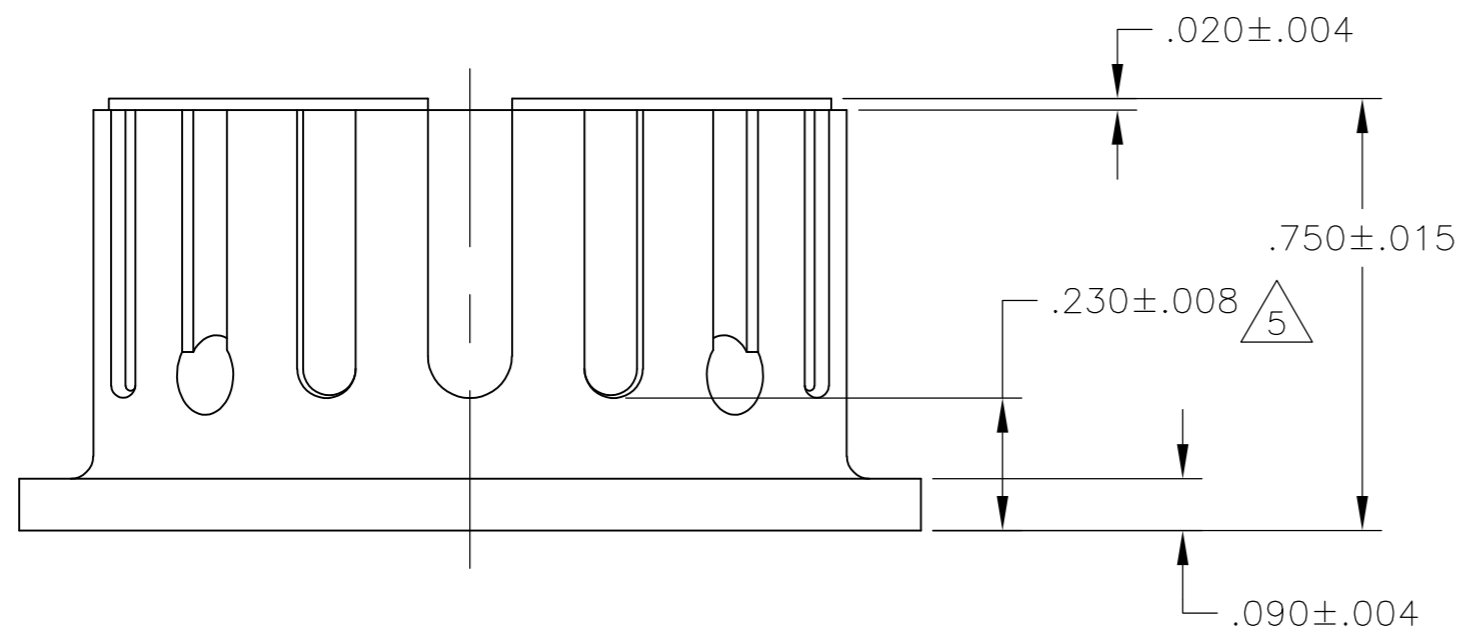
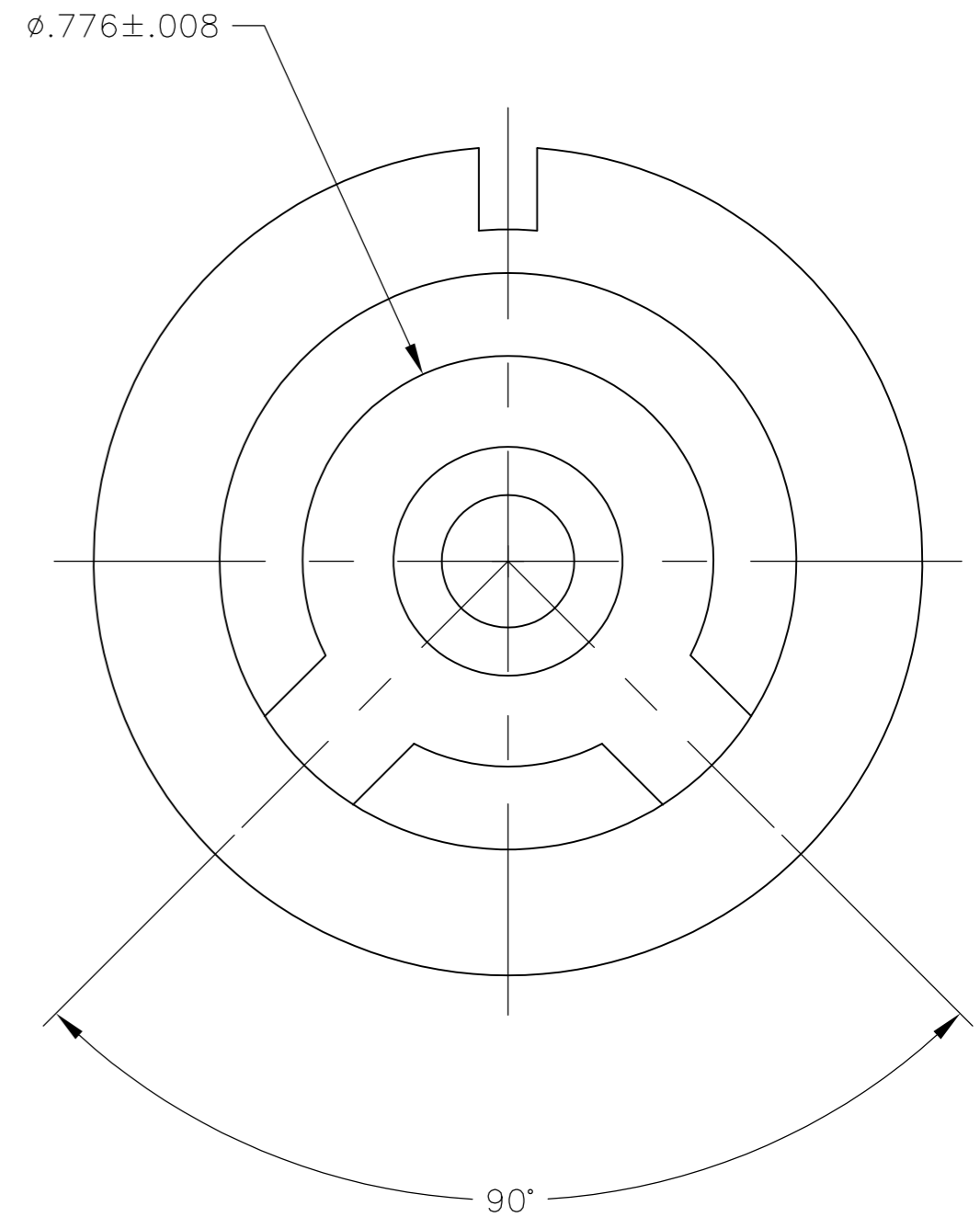
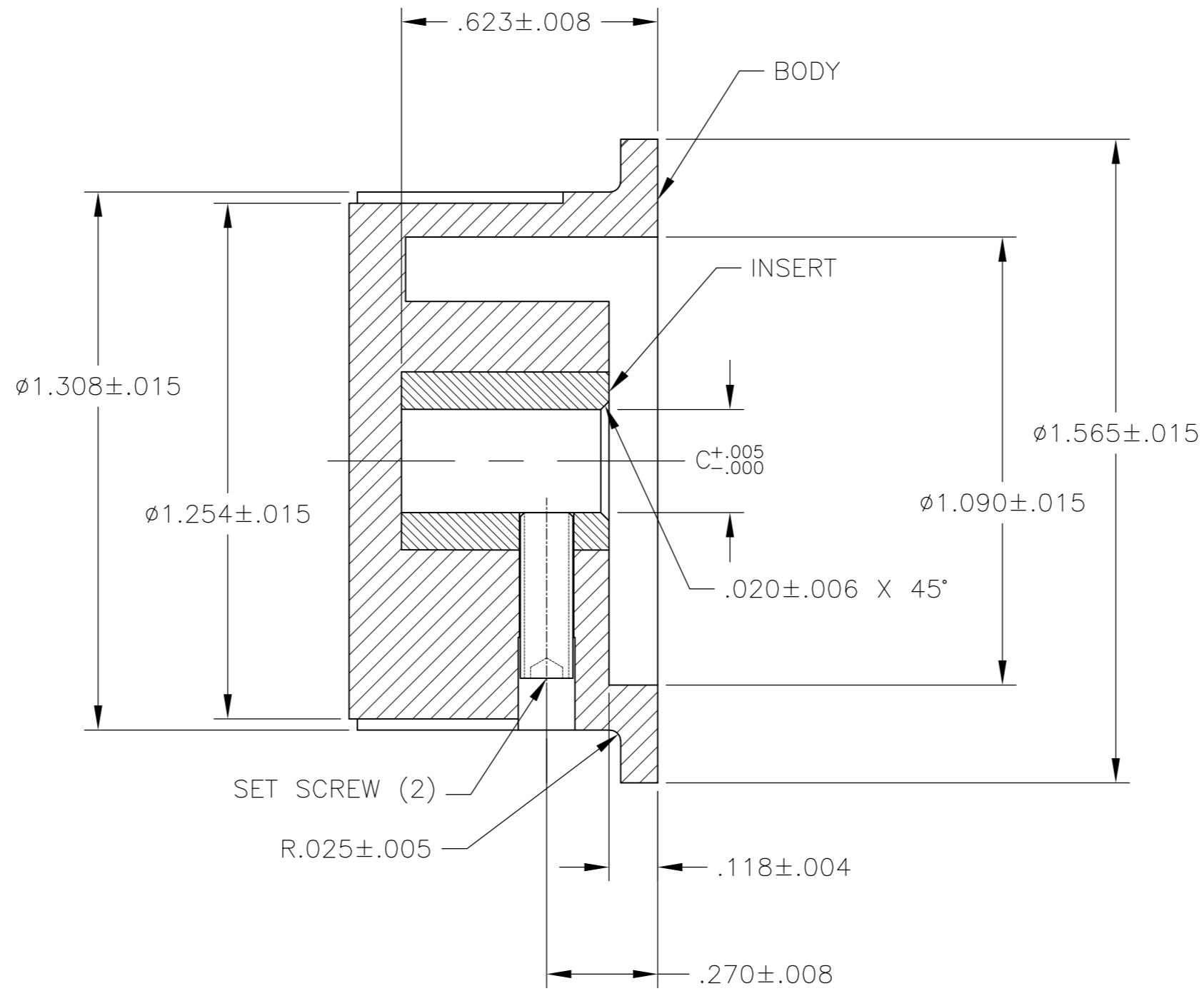
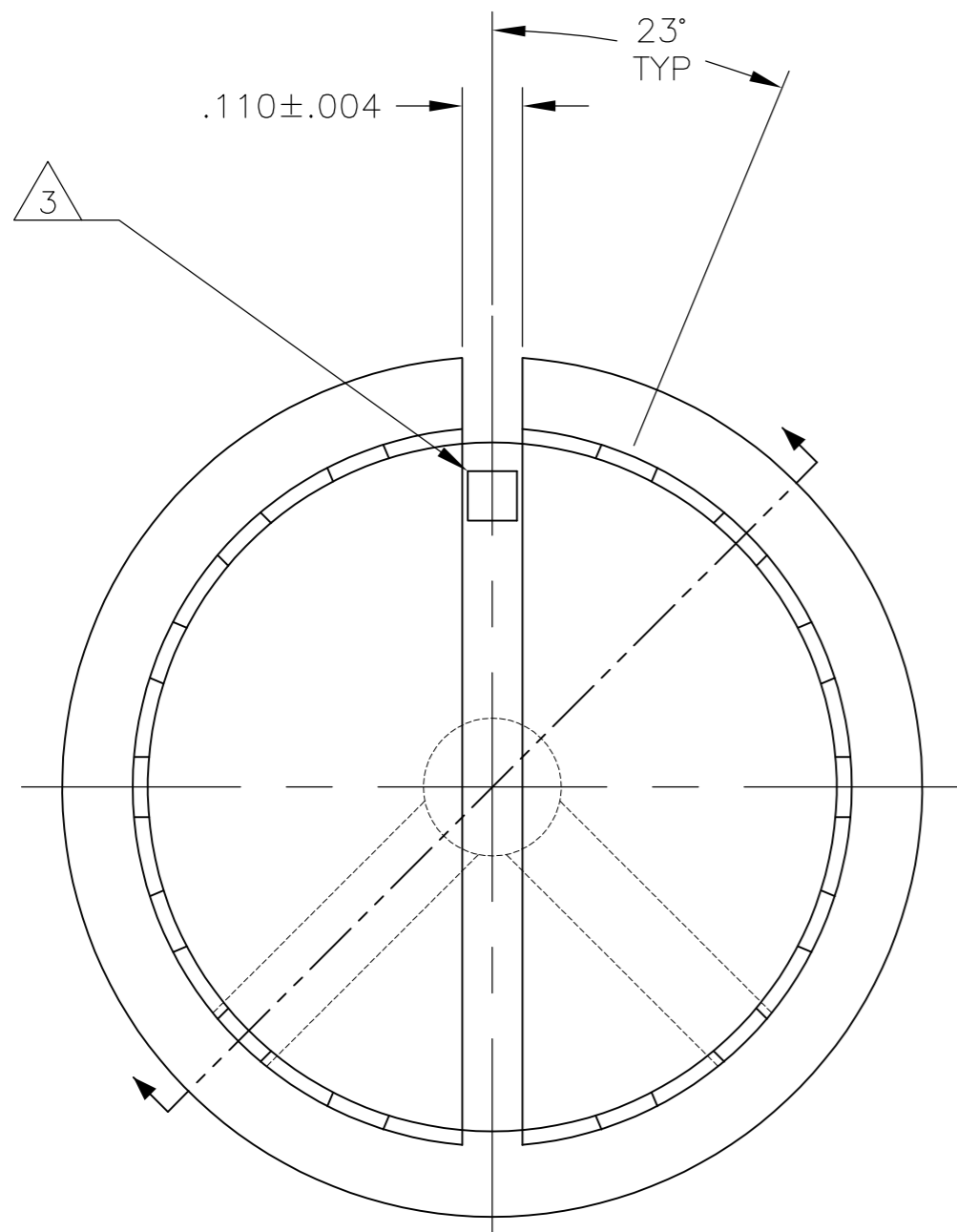
#6-32 X .313	.251	PKX110B1/4	1-1437625-2
SET SCREW	C SHAFT HOLE	MODEL NUMBER	PART NUMBER

THIS DRAWING IS A CONTROLLED DOCUMENT.		DWN	12MAR03	M.BINNER																			
DIMENSIONS: INCHES		CHK	-	APVD																			
TOLERANCES UNLESS OTHERWISE SPECIFIED:		PRODUCT SPEC	-	APPLICATION SPEC																			
<table border="1"> <tr><td>0 PLC</td><td>±</td><td>-</td></tr> <tr><td>1 PLC</td><td>±</td><td>-</td></tr> <tr><td>2 PLC</td><td>±</td><td>-</td></tr> <tr><td>3 PLC</td><td>±</td><td>.004</td></tr> <tr><td>4 PLC</td><td>±</td><td>-</td></tr> <tr><td>ANGLES</td><td>±</td><td>2°</td></tr> </table>		0 PLC	±	-	1 PLC	±	-	2 PLC	±	-	3 PLC	±	.004	4 PLC	±	-	ANGLES	±	2°	NAME	PKX SERIES KNOB		
0 PLC	±	-																					
1 PLC	±	-																					
2 PLC	±	-																					
3 PLC	±	.004																					
4 PLC	±	-																					
ANGLES	±	2°																					
MATERIAL	FINISH	WEIGHT	SIZE	CAGE CODE	DRAWING NO																		
-	-	-	A2	00779	C=1-1437625-1																		
CUSTOMER DRAWING			SCALE	SHEET	REV																		
			1:1	5 of 6	K1																		

1-1437625-1

THIS DRAWING IS UNPUBLISHED. RELEASED FOR PUBLICATION
 © COPYRIGHT - By - ALL RIGHTS RESERVED.

REVISIONS				DATE	DWN	APVD
P	LTR	DESCRIPTION				
-	-	SEE SHEET 1	-	-	-	-



#6-32 X .438	.251	PKX130B1/4	1-1437625-3
SET SCREW	C SHAFT HOLE	MODEL NUMBER	PART NUMBER

THIS DRAWING IS A CONTROLLED DOCUMENT.		DWN	M.BINNER	12MAR03																		
DIMENSIONS: INCHES		CHK	-	-																		
TOLERANCES UNLESS OTHERWISE SPECIFIED:		APVD	-	-																		
<table border="1"> <tr><td>0 PLC</td><td>±</td><td>-</td></tr> <tr><td>1 PLC</td><td>±</td><td>-</td></tr> <tr><td>2 PLC</td><td>±</td><td>-</td></tr> <tr><td>3 PLC</td><td>±</td><td>.004</td></tr> <tr><td>4 PLC</td><td>±</td><td>-</td></tr> <tr><td>ANGLES</td><td>±</td><td>2°</td></tr> </table>		0 PLC	±	-	1 PLC	±	-	2 PLC	±	-	3 PLC	±	.004	4 PLC	±	-	ANGLES	±	2°	PRODUCT SPEC	-	-
0 PLC	±	-																				
1 PLC	±	-																				
2 PLC	±	-																				
3 PLC	±	.004																				
4 PLC	±	-																				
ANGLES	±	2°																				
MATERIAL		APPLICATION SPEC	-	-																		
FINISH		WEIGHT	-	-																		
		SIZE	A2	CAGE CODE																		
		WEIGHT	-	DRAWING NO																		
		CUSTOMER DRAWING	1-1437625-1	RESTRICTED TO																		
		SCALE	1:1	SHEET																		
			6 of 6	REV																		
			K1																			